



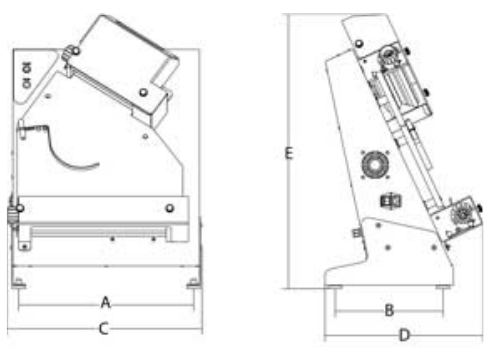
solo per professionisti

Sirman Spa
 Viale dell'Industria 9/11
 35010 PIEVE DI CURTAROLO (PD), Italy
 Tel./Fax. +39 049 9698666 / +39 049 9698688
 email: info@sirman.com



Sirman 比萨成形机, model P-roll 320/2 - 420/2 :

- Rolling machine perfect for rolling pizzas, focacce (flat bread), bread etc.
 - Rolling is done cold so as not to alter the properties of the dough.
 - The thickness and diameter of the dough can be easily adjusted according to the user's specific needs.
 - AISI 304 stainless steel body.
 - Easy adjustable thickness by aluminium knobs
 - Heavy - duty metal gears transmission
 - Easy removable lower roller scrapers for cleaning
- Plus version
- Easy removable upper roller scraper for cleaning
 - Easy detachable plexi roller protections, provided with micro switch
 - Easy detachable ceramic slide for efficient and fast cleanability
 - Stainless steel IP 67 controls with NVR
- Optional:
- Pedal arrangement.



模型	P-Roll 320/2	P-Roll 420/2
功率	watt 240 - Hp 0,33	watt 240 - Hp 0,33
电源	1ph	1ph
滚筒尺寸	mm 220/320	mm 220/420
面团的重量	gr 80-210	gr 210-700
A	mm 411	mm 511
B	mm 315	mm 315
C	mm 470	mm 570

D	mm 463	mm 463
E	mm 720	mm 800
净重	kg 40.5	kg 47.5
包装尺寸	mm 750x580x1005	mm 750x580x1005
毛重	kg 52.5	kg 59.5
HS-CODE	84385000	