



Sirman Spa  
 Viale dell'Industria 9/11  
 35010 PIEVE DI CURTAROLO (PD), Italy  
 Tel./Fax. +39 049 9698666 / +39 049 9698688  
 email: info@sirman.com



Sirman Aufschnittmaschinen , Model Galileo 385 Evo Aut. Top :

- Rounded design, no sharp edges and visible screws.
- Chrome plated and ground slide rod.
- Self lubricating slide rod bushings.
- Vulcanized rubber stops on carriage.
- Removable support cover for thickness gauge plate.
- Stainless steel slice deflector.
- Stainless steel screws and fittings.
- Blade pulley without centre hole to facilitate cleaning.
- Adjustable slicer table movement in the first 3 mm of opening, guarantees higher cutting precision of thin slices.
- Safety ring on table shaft to prevent liquids from seeping inside the machine.
- Easily removable blade cover
- Bottom cover.
- Changeover electronic circuit 110-220V single phase.
- Built in sharpening tool with bottom protection.
- Standard blade removal tool.
- 38° blade inclination.
- Aluminium knob.
- Ergonomic controls - pushbuttons with IP67 protection rating
- 3-speed selection
- 3 different adjustments for carriage travel
- Slice counter
- Slice number setting with automatic stop feature
- Enclosed and sealed drive motor
- Positive drive belt
- Output slices per minute: 24 - 46
- Aluminium telescopic feet with rubber base.
- Maintenance tool kit.



Easily removable blade cover



Blade hub closed, without tie rod cover blade

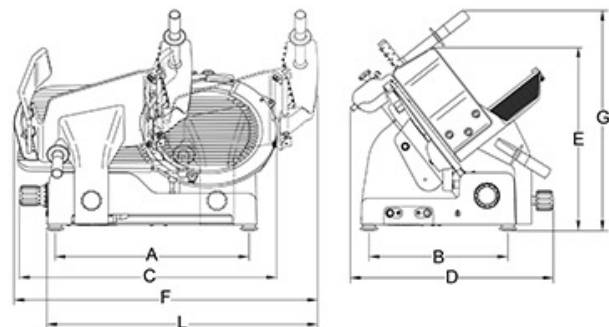
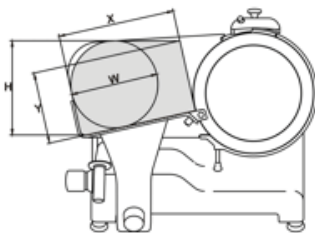


70 mm distance between blade and body machine



Side guard for food tray optional

#### Datenblatt



#### Technische Daten

Modell	Galileo 385 Evo Aut Top
ø Messer	mm 385 - inch 16
Motor	watt 380+400 - Hp 0,52-0,54
Schnittbreite	mm 25
Wagenschud	mm 365
Wagen grösse	mm 430x320
A	mm 515
B	mm 410
C	mm 770
D	mm 655

E	mm 525
F	mm 820
G	mm 730
L	mm 668
X	mm 285/320
Y	mm 230
H	mm 305
W	mm 280
Nettogewicht	kg 64
Verpack. abmessungen	mm 870x840x750
Bruttogewicht	kg 80
HS-CODE	84385000